

Ron Mitchell's

CHEROKEE ARTIST NEWSLETTER

36212 S. Cherokee Dr.
Park Hill, OK 74451

www.cherokeeartist.net Cell Phone 918-264-7514 Studio Phone 918-457-4680
E-mail: ron.mitchell@cherokeeartist.net

December 2016


Holiday Seasons Guide for Artwork by Ron Mitchell

Colorado Indian Market
January 20-22, 2017
at the DENVER MART



Paintings, Prints
Graphic Arts, &
Demonstrations
BY
Ron Mitchell

Osijo
CHEROKEE NATION GIFT SHOP



17725 S Muskogee Ave
Tahlequah, OK 74464
Phone: (918) 456-2793


Ron Mitchell's
Studio & Web Site



www.cherokeeartist.net
36212 S. Cherokee Dr.
Park Hill, OK 74451
Phone: 918-457-4680


SANDBAR TRADING

922 East Douglas
Wichita, KS. 67202
Ph. 316-303-1005




Ron Mitchell

the
Chickasaw Nation



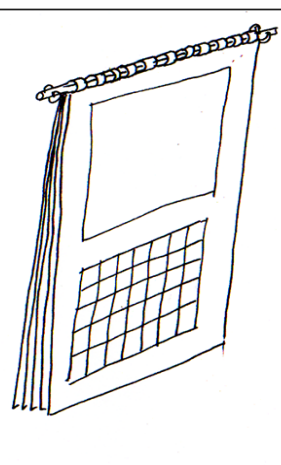
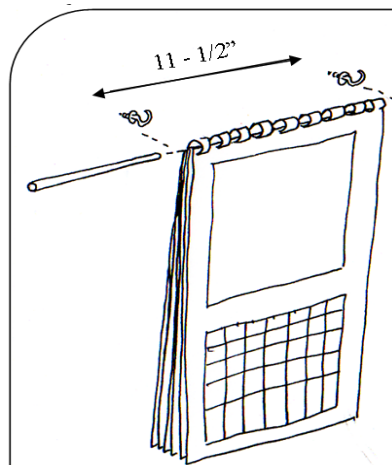
Chokma'si Gallery
201 North Broadway
Ada, Oklahoma 74820
Phone: 580-272-5520

the
Chickasaw Nation

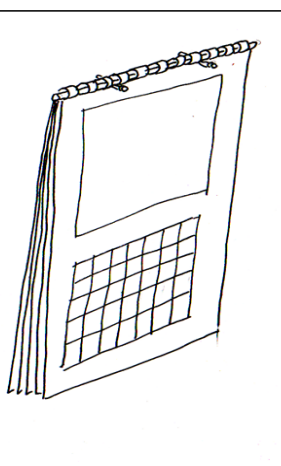
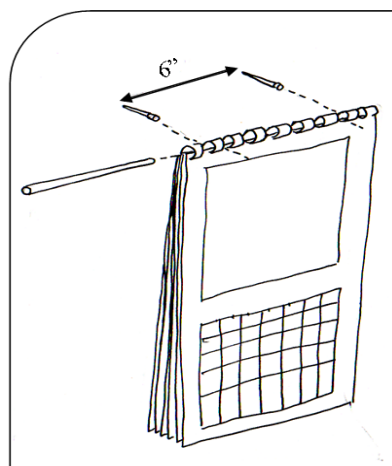


ARTesian Gallery
100 West Muskogee Ave.
Sulphur, Oklahoma 73086
Phone: 580-622-8040

Cousin Carolyn's, "How to hang a calendar with plastic binding."



"With (1/4" x 13") Wood dowel or equivalent and 2 cup hooks."



"With (1/4" x 12") Wood dowel or equivalent and 2 (2") finishing nails."

See Ron's originals, prints and show schedule at www.cherokeeartist.net

To remove your name from our mailing list please [click here](#) or if you have questions or comments [E-mail](#) or call us at 918-457-4680.